



EncapSulite®

WATERGUARD® PLUS WATERGUARD® MAX

Watertight Fixtures for Indoor &
Outdoor Applications



WASHDOWN FIXTURES

Applications include Product Inspection, Food Plants, Supermarket Produce Misting Areas, Amusement Parks, Car Washes, Parking Garages, Retail, Food Processing, Seacoast Areas, Tunnels, Greenhouses, Signage, Water Treatment Plants, Bridges, Shopping Malls, Decorative Lighting and Corrosive Areas. WaterGuard Plus casing manufactured from XYLEX 8300 HP. WaterGuard Max casing manufactured from UV Stabilized PC. All fixtures, excluding Max, come standard with mirror-like reflectors. All fixtures rated to withstand high pressure washdown up to 1200 PSI. Parts list and photometrics available upon request. All products IP67 Rated. Limited One-Year Warranty. Ambient temperature rated from -20°F to 150°F.*



WGM644 WATERGUARD MAX FOUR LAMP T5HO FIXTURE

UL Listed 1598. UL-EPH Certified. Standard fixture includes two heavy duty Stainless Steel suspension mounting brackets, Electronic Program Start Ballast. Universal Voltage 120-277 50/60HZ, Factory pre-wired with 8 foot black cord and plug. Includes energy saving 49W 4100 Kelvin T5HO safety coated lamps. Other Kelvin temperatures lamps available upon request. WaterGuard fixtures should only be cleaned with a mild soap and water solution. Do not use industrial cleaners or solvents. **Not recommended for permanent immersion.** Photometrics are available to download at www.EncapSulite.com.
* Ambient temperature rated from -20°F to 100°F.

6.00 INCH DIAMETER LAMP SPECS

PART NUMBER	DESCRIPTION	MULTI-VOLTAGE
WGM644	49 Watt Bi-Pin - T5 Lamp Length - 46 inches Fixture Length - 49 inches	120 - 277V 50/60Hz



WGP50 SINGLE T5 LAMP SERIES

UL Listed 1598. UL-EPH Certified. Standard fixture includes two heavy duty non-metallic fixed mounting brackets, Electronic Program Start Ballast. Universal Voltage 120-277 50/60HZ, Factory pre-wired with 8 foot black cord and plug. High efficiency reflector system to increase foot candles directly under fixture, and a Single 4100 Kelvin T5 safety coated lamp. Other Kelvin temperature lamps available upon request. Optional suspension mounting methods available at additional costs. WaterGuard fixtures should only be cleaned with a mild soap and water solution. Do not use industrial cleaners or solvents. **Not recommended for permanent immersion.** Photometrics are available to download at www.EncapSulite.com.

50MM / 2.00 INCH DIAMETER LAMP SPECS

PART NUMBER	DESCRIPTION	MULTI-VOLTAGE
WGP511	8 Watt - Miniature Bi-Pin - T5 Lamp Length - 12 inches Fixture Length - 14 inches	120v 50/60Hz (Only available in 120v)
WGP512	14 Watt - Miniature Bi-Pin - T5 Lamp Length - 22 inches Fixture Length - 24.75 inches	120 - 277V 50/60Hz
WGP513	21 Watt - Miniature Bi-Pin - T5 Lamp Length - 34 inches Fixture Length - 36.75 inches	120 - 277V 50/60Hz
WGP514	28 Watt - Miniature Bi-Pin - T5 Lamp Length - 46 inches Fixture Length - 48.5 inches	120 - 277V 50/60Hz
WGP515	35 Watt - Miniature Bi-Pin - T5 Lamp Length - 58 inches Fixture Length - 60.375 inches	120 - 277V 50/60Hz



WGP70 SINGLE T8 LAMP SERIES

UL Listed 1598. UL-EPH Certified. Standard fixture includes two heavy duty non-metallic fixed mounting brackets, Electronic Program Start Ballast. Universal Voltage 120-277 50/60HZ, Factory pre-wired with 8 foot black cord and plug. High efficiency reflector system to increase foot candles directly under fixture, and a Single 4100 Kelvin T8 safety coated lamp. Other Kelvin temperature lamps available upon request. Optional suspension mounting methods available at additional costs. WaterGuard fixtures should only be cleaned with a mild soap and water solution. Do not use industrial cleaners or solvents. **Not recommended for permanent immersion.** Photometrics are available to download at www.EncapSulite.com. FEP coating available on clear housing for extreme caustic or chemical environments at additional cost (70-series only).

70MM / 2.75 INCH DIAMETER LAMP SPECS

PART NUMBER	DESCRIPTION	MULTI-VOLTAGE
WGP712	17 Watt - Medium Bi-Pin - T8 Lamp Length - 24 inches Fixture Length - 27.75 inches	120 - 277V 50/60Hz
WGP713	25 Watt - Medium Bi-Pin - T8 Lamp Length - 36 inches Fixture Length - 39.75 inches	120 - 277V 50/60Hz
WGP714	32 Watt - Medium Bi-Pin - T8 Lamp Length - 48 inches Fixture Length - 51.75 inches	120 - 277V 50/60Hz
WGP715	40 Watt - Medium Bi-Pin - T8 Lamp Length - 60 inches Fixture Length - 63.75 inches	120 - 277V 50/60Hz



WGP70 TWO & FOUR LAMP T5 LAMP SERIES

UL Listed 1598. UL-EPH Certified. Two Lamp or Four Lamp standard fixture includes two heavy duty non-metallic fixed mounting brackets or three brackets for the four lamp fixture, Electronic Program Start Ballast. Universal Voltage 120-277 50/60HZ, Factory pre-wired with 8 foot black cord and plug. High efficiency reflector system to increase foot candles directly under fixture, and 4100 Kelvin T5 safety coated lamps. Other Kelvin temperature lamps available upon request. Optional suspension mounting methods available at additional costs. WaterGuard fixtures should only be cleaned with a mild soap and water solution. Do not use industrial cleaners or solvents. **Not recommended for permanent immersion.** Photometrics are available to download at www.EncapSulite.com. FEP coating available on clear housing for extreme caustic or chemical environments at additional cost (70-series only).

70MM / 2.75 INCH DIAMETER TWO LAMP SERIES SPECS

PART NUMBER	DESCRIPTION	MULTI-VOLTAGE
WGP722	14 Watt - Miniature Bi-Pin - T5 Lamp Length - 22 inches Fixture Length - 27.75 inches	120 - 277V 50/60Hz
WGP723	21 Watt - Miniature Bi-Pin - T5 Lamp Length - 34 inches Fixture Length - 39.75 inches	120 - 277V 50/60Hz
WGP724	28 Watt - Miniature Bi-Pin - T5 Lamp Length - 46 inches Fixture Length - 51.75 inches	120 - 277V 50/60Hz
WGP725	35 Watt - Miniature Bi-Pin - T5 Lamp Length - 58 inches Fixture Length - 63.75 inches	120 - 277V 50/60Hz

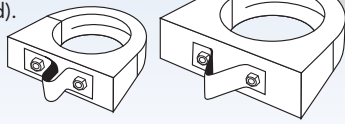
70MM / 2.75 INCH DIAMETER FOUR LAMP SERIES SPECS

PART NUMBER	DESCRIPTION	MULTI-VOLTAGE
WGP748	28 Watt - Miniature Bi-Pin - T5 Lamp Length - 46 inches Fixture Length - 96 inches	120 - 277V 50/60Hz



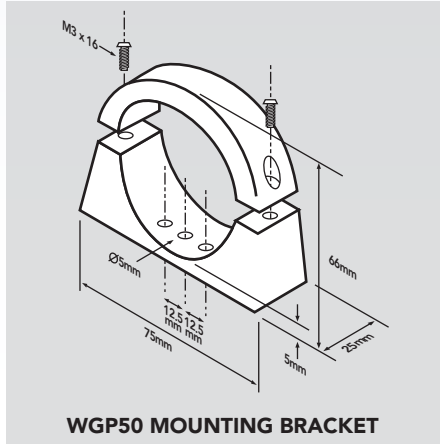
STAINLESS STEEL HANGING CLAMPS

Available for attaching to the Mounting Bracket for optional suspension mounting (chain not included).

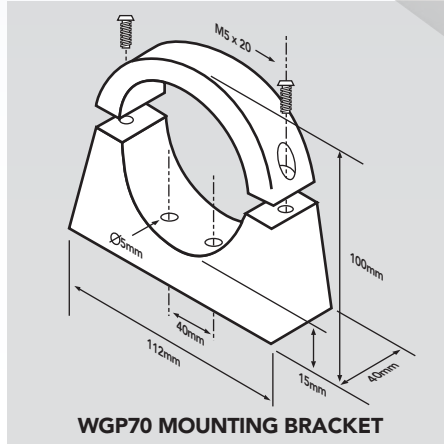


MOUNTING BRACKETS

Each EncapSulite WaterGuard Plus Fluorescent Fixture includes two non-metallic mounting brackets, or three for the WGP748.



WGP50 MOUNTING BRACKET



WGP70 MOUNTING BRACKET

LAMP COLOR SELECTION

Colors available at an additional charge. See additional color selections online.



STAINLESS STEEL HANGERS

Grippler Hangers paired with an EncapSulite WaterGuard® Plus or Max fixture offers the ideal solution to suspension mounting in the food industry. Designed specifically for applications in wet locations and wash down areas. Easy to install and corrosive-resistant.

WATERGUARD®/GRIPPLE MOUNTING SET

GRIPPLE MOUNTING SET SPECS

PART NUMBER	LENGTH
GRIP - 5	5 Foot
GRIP - 10	10 Foot
GRIP - 15	15 Foot

WaterGuard®/Grippler Mounting Set includes two cables with snap hook ends, two locks, and two stainless steel straps with stainless steel hardware.

WGP748 MOUNTING SET

GRIPPLE MOUNTING SET SPECS

8 FOOT FIXTURE

PART NUMBER	LENGTH
GRIP748 - 5	5 Foot
GRIP748 - 10	10 Foot
GRIP748 - 15	15 Foot

The 8-Foot Fixture requires a WaterGuard®/ Grippler Mounting Set that includes three cables with snap hook ends, three locks, and three stainless steel Straps with stainless steel hardware.



COMPLETE MOUNTING SET



EncapSulite International Inc., US Factory & Office
 1220 Bamore Road • Rosenberg, TX 77471
 P (281) 239-0225 • F (281) 239-0980
 TF (877) 227-8756
 E info@encapsulite.com • W www.encapsulite.com

EncapSulite International, Limited, UK Factory & Office
 Unit 17, Chartwell Business Park
 Chartmoor Road, Leighton Buzzard • Bedfordshire, LU74WG
 P 01144 1525 376974 • F 01144 1525 850306
 E reply@encapsulite.co.uk • W www.encapsulite.co.uk