



WaterGuard® Plus Installation & Handling Instructions & Warranty Policy

1220 Bamore Road
Rosenberg, Texas 77471
Phone: 281-239-0225
Fax: 281-239-0980
Toll Free Phone: 877-227-8756

Encapsulite WaterGuard® Plus fluorescent fixtures are suitable for indoor & outdoor wet locations.

The fixtures are not designed for permanent immersion.

Installation & Service Instructions

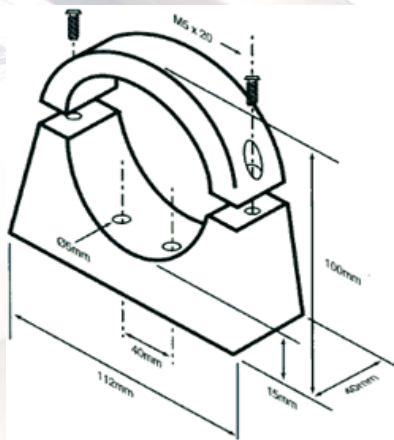
- Remove product from packaging and carefully inspect for any concealed shipping damage
- Vertical Mounting: Base Down – cable down only
- Cleaning: Use water only – Do not use industrial cleaners or solvents
- Warning: Disconnect the light fixture from the power source prior to changing the lamp or serving the unit
- Use only manual hand held nut drivers not power drivers

Lamp & Tray Removal

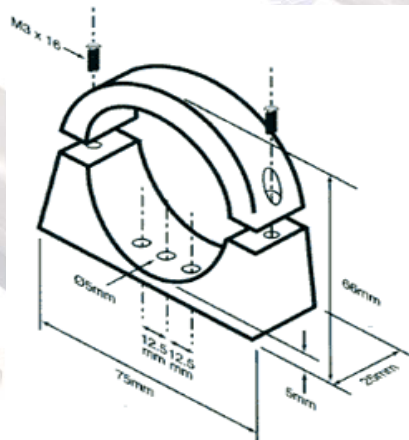
WGP70 Series Lamp & Tray Removal – Starting at cable entry end. Use the correct size nut driver, loosen 1/4 inch hex head screw counter clockwise 4 to 5 turns, push head of screw in to release “O” ring pressure, gently remove end cap and tray assembly together. Remove lamps by twisting lamps until the lamp end pins are visible in the lamp holders. Carefully remove lamp and dispose of the lamp properly. **WGP70 Series Lamp & Tray Replacement** – Place the lamp end pins into both lamp holders, twist the lamp until an audible click is heard. It is important that the end pins be sealed firmly in the lamp holders for proper electrical contact. Carefully insert the tray assembly with the end cap making sure that the tray assembly is placed in the tray tongs on the inside of both end caps. When placed correctly the tongs will prevent the tray assembly from rotating or turning. Slide the end cap firmly in the tube and tighten clockwise the 1/4 inch hex head screw until the “O” ring is clearly sealed against the inside wall of the tube.

WGP50 Series – Parts Removal & Replacement – All directions for the WGP50 Series are the same as WGP70 series.

WaterGuard® Plus Mounting Brackets



WGP50 Mounting Clip



WGP70 Mounting Clip

Each Encapsulite WaterGuard® Plus Fluorescent Fixture includes two non-metallic mounting brackets.

Limited Warranty:

Encapsulite International WaterGuard® Fluorescent Fixtures are warranted for a period of one year from the date of original purchase against defects in materials and workmanship. If this product should fail to operate due to defects in materials or workmanship, simply return this product to the place of purchase or Encapsulite® International (address above) along with the original sales receipt within one year of purchase. This product will be repaired or replaced at Encapsulite's option. This warranty is expressly limited to repair or replacement of the product. This warranty gives the consumer specific legal rights which vary from state to state. Fluorescent lamps are not covered.

WARRANTY IS VOID IF PRODUCT IS NOT USED FOR THE PURPOSE FOR WHICH THIS PRODUCT IS MANUFACTURED OR HAS BEEN MODIFIED IN ANY WAY BY THE CONTRACTOR OR END USER.