



itl boulder

THE LIGHT CENTER OF THE INDUSTRY SINCE 1955

INDEPENDENT TESTING LABORATORIES, INC.
3386 LONGHORN ROAD, BOULDER, CO 80302 USA

PHONE: (303)442-1255 • FAX: (303)449-5274 • E-MAIL: itl@itlboulder.com • WEBSITE: www.itlboulder.com

REPORT NUMBER: ITL64519

DATE: 05/07/10

PREPARED FOR: ENCAPSULITE INTERNATIONAL INC.

CATALOG NUMBER: WGP713

LUMINAIRE: FORMED WHITE PAINTED METAL BALLAST TRAY, FORMED METAL REFLECTOR WITH PREMIUM SPECULAR FINISH, CLEAR EXTRUDED PLASTIC CYLINDRICAL LENS WITH GRAY COATED UPPER EXTERIOR SURFACE ENCOMPASSING BALLAST TRAY AND LAMP, MOLDED WHITE PLASTIC END CAPS.

LAMP: ONE 25-WATT T-8 FO25/841/ECO LINEAR FLUORESCENT.

BALLAST: UNIVERSAL B132IUNVHP-B

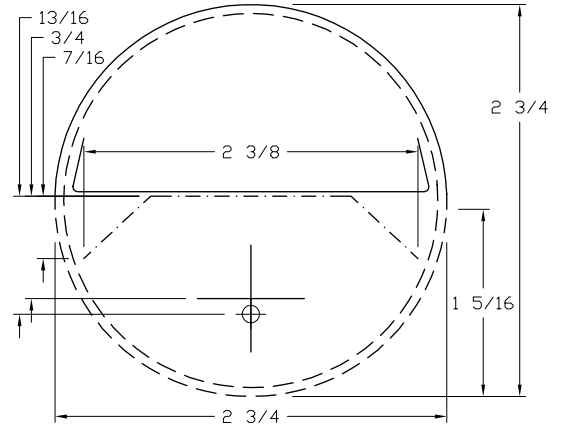
THE 0 DEGREE PLANE IS PARALLEL WITH THE LAMP.

MOUNTING: SURFACE/SUSPENDED

TOTAL INPUT WATTS = 21.9 AT 120.0 VOLTS

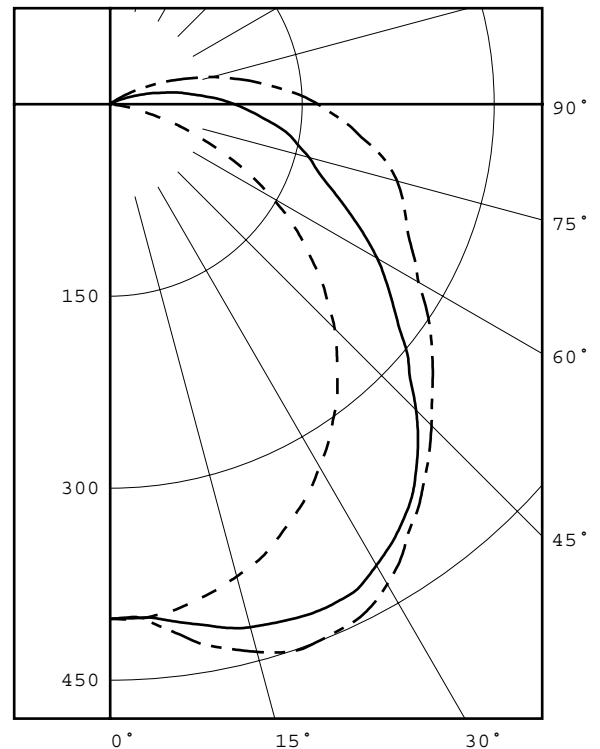
LUMEN TO CANDELA RATIO USED = 9.16

REPORT IS BASED ON 2150 LUMENS PER LAMP.



CANDELA DISTRIBUTION

	0.0	22.5	45.0	67.5	90.0	FLUX
0	402	402	402	402	402	
5	401	402	403	403	408	39
15	382	395	423	436	443	118
25	349	387	427	443	447	191
35	303	360	398	411	407	238
45	248	313	338	355	355	252
55	182	245	269	299	305	236
65	109	169	209	248	259	201
75	40	98	161	215	232	161
85	2	52	119	172	187	120
90	0	33	96	146	161	
95	0	17	73	114	135	75
105	0	3	33	65	82	38
115	0	0	7	23	34	12
125	0	0	1	3	6	2
135	0	0	0	0	1	0
145	0	0	0	0	0	0
155	0	0	0	0	0	0
165	0	0	0	0	0	0
175	0	0	0	0	0	0
180	0	0	0	0	0	0



LEGEND:
0-deg: - - - - -
45-deg: = = = = =
90-deg: - . - . - .

ZONAL LUMEN SUMMARY

ZONE	LUMENS	%LAMP	%FIXT
0- 30	347	16.2	20.6
0- 40	586	27.2	34.8
0- 60	1074	49.9	63.8
0- 90	1555	72.3	92.4
90-120	125	5.8	7.4
90-130	127	5.9	7.6
90-150	127	5.9	7.6
90-180	127	5.9	7.6
0-180	1683	78.3	100.0

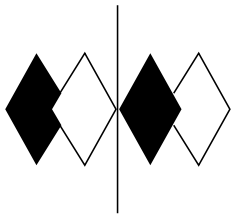
TOTAL LUMINAIRE EFFICIENCY = 78.3 %

CIE TYPE - DIRECT

PLANE : 0-DEG 90-DEG
SPACING CRITERIA : 1.2 1.5
SHIELDING ANGLES : 1 0

Checked M.KLOPF

Approved R.BEATTIE



itl boulder
THE LIGHT CENTER OF THE INDUSTRY SINCE 1955

INDEPENDENT TESTING LABORATORIES, INC.
3386 LONGHORN ROAD, BOULDER, CO 80302 USA

PHONE: (303)442-1255 • FAX: (303)449-5274 • E-MAIL: itl@itlboulder.com • WEBSITE: www.itlboulder.com

REPORT NUMBER: ITL64519
PREPARED FOR: ENCAPSULITE INTERNATIONAL INC.

DATE: 05/07/10

PLANE : 0-DEG 90-DEG
LUMINOUS LENGTH : 36.875 2.750
HEIGHT OF SIDE : 1.313 1.313

LUMINANCE DATA IN CANDELA/SQ M
ANGLE AVERAGE AVERAGE AVERAGE
IN DEG 0-DEG 45-DEG 90-DEG
45 5177. 5362. 5195.
55 4616. 4723. 4833.
65 3663. 4252. 4629.
75 2085. 4040. 4926.
85 249. 4056. 5080.



itl boulder
THE LIGHT CENTER OF THE INDUSTRY SINCE 1955

INDEPENDENT TESTING LABORATORIES, INC.
 3386 LONGHORN ROAD, BOULDER, CO 80302 USA

PHONE: (303)442-1255 • FAX: (303)449-5274 • E-MAIL: itl@itlboulder.com • WEBSITE: www.itlboulder.com

REPORT NUMBER: ITL64519

DATE: 05/07/10

PREPARED FOR: ENCAPSULITE INTERNATIONAL INC.

CANDELA DISTRIBUTION

	0.0	22.5	45.0	67.5	90.0
0.0	402	402	402	402	402
5.0	401	402	403	403	408
10.0	393	397	413	422	429
15.0	382	395	423	436	443
20.0	368	392	427	446	451
25.0	349	387	427	443	447
30.0	327	375	416	432	433
35.0	303	360	398	411	407
40.0	276	340	372	382	382
45.0	248	313	338	355	355
50.0	216	279	303	323	329
55.0	182	245	269	299	305
60.0	146	205	241	272	278
65.0	109	169	209	248	259
70.0	72	131	180	229	245
75.0	40	98	161	215	232
80.0	16	70	143	198	212
85.0	2	52	119	172	187
90.0	0	33	96	146	161
95.0	0	17	73	114	135
100.0	0	8	53	88	108
105.0	0	3	33	65	82
110.0	0	1	17	42	56
115.0	0	0	7	23	34
120.0	0	0	2	10	17
125.0	0	0	1	3	6
130.0	0	0	0	2	2
135.0	0	0	0	0	1
140.0	0	0	0	0	0
145.0	0	0	0	0	0
150.0	0	0	0	0	0
155.0	0	0	0	0	0
160.0	0	0	0	0	0
165.0	0	0	0	0	0
170.0	0	0	0	0	0
175.0	0	0	0	0	0
180.0	0	0	0	0	0



INDEPENDENT TESTING LABORATORIES, INC.
3386 LONGHORN ROAD, BOULDER, CO 80302 USA

PHONE: (303)442-1255 • FAX: (303)449-5274 • E-MAIL: itl@itlboulder.com • WEBSITE: www.itlboulder.com

REPORT NUMBER: ITL64519

DATE: 05/07/10

PREPARED FOR: ENCAPSULITE INTERNATIONAL INC.

5-DEGREE
ZONAL LUMEN SUMMARY

0- 5	10.
5- 10	29.
10- 15	49.
15- 20	69.
20- 25	87.
25- 30	103.
30- 35	115.
35- 40	123.
40- 45	126.
45- 50	125.
50- 55	121.
55- 60	115.
60- 65	106.
65- 70	95.
70- 75	85.
75- 80	76.
80- 85	65.
85- 90	54.
90- 95	43.
95-100	32.
100-105	23.
105-110	15.
110-115	8.
115-120	4.
120-125	2.
125-130	0.
130-135	0.
135-140	0.
140-145	0.
145-150	0.
150-155	0.
155-160	0.
160-165	0.
165-170	0.
170-175	0.
175-180	0.

10-DEGREE
ZONAL LUMEN SUMMARY

0- 10	39.
0- 20	157.
0- 30	347.
0- 40	586.
0- 50	837.
0- 60	1074.
0- 70	1274.
0- 80	1436.
0- 90	1555.
0-100	1631.
0-110	1668.
0-120	1681.
0-130	1683.
0-140	1683.
0-150	1683.
0-160	1683.
0-170	1683.
0-180	1683.



INDEPENDENT TESTING LABORATORIES, INC.
 3386 LONGHORN ROAD, BOULDER, CO 80302 USA

PHONE: (303)442-1255 • FAX: (303)449-5274 • E-MAIL: itl@itlboulder.com • WEBSITE: www.itlboulder.com

REPORT NUMBER: ITL64519

DATE: 05/07/10

PREPARED FOR: ENCAPSULITE INTERNATIONAL INC.

COEFFICIENTS OF UTILIZATION - ZONAL CAVITY METHOD

EFFECTIVE FLOOR CAVITY REFLECTANCE 0.20

RC RW	80				70				50			30			10			0
	70	50	30	10	70	50	30	10	50	30	10	50	30	10	50	30	10	0
0	92	92	92	92	89	89	89	89	84	84	84	79	79	79	74	74	74	72
1	82	77	73	69	79	75	71	67	70	67	64	66	63	61	62	60	58	56
2	74	66	60	55	71	64	58	54	60	56	52	57	53	49	53	50	47	45
3	67	57	50	45	64	56	49	44	53	47	42	49	45	41	47	43	39	37
4	61	51	43	37	58	49	42	37	46	40	36	44	39	35	41	37	33	31
5	56	45	37	32	54	44	37	31	41	35	31	39	34	30	37	32	29	27
6	51	40	33	28	49	39	32	27	37	31	27	35	30	26	33	29	25	23
7	47	36	29	24	46	35	29	24	34	28	23	32	27	23	30	26	22	20
8	44	33	26	21	43	32	26	21	31	25	21	29	24	20	28	23	20	18
9	41	30	24	19	40	30	23	19	28	23	19	27	22	18	26	21	18	16
10	39	28	22	17	37	27	21	17	26	21	17	25	20	16	24	19	16	15

ALL CANDELA, LUMENS, LUMINANCE, COEFFICIENT OF UTILIZATION AND VCP VALUES IN THIS REPORT ARE BASED ON RELATIVE PHOTOMETRY WHICH ASSUMES A BALLAST FACTOR OF 1.000. ANY CALCULATIONS PREPARED FROM THESE DATA SHOULD INCLUDE AN APPROPRIATE BALLAST FACTOR.