

itl boulder

THE LIGHT CENTER OF THE INDUSTRY SINCE 1955

INDEPENDENT TESTING LABORATORIES, INC.
3386 LONGHORN ROAD, BOULDER, CO 80302 USA

PHONE: (303)442-1255 • FAX: (303)449-5274 • E-MAIL: itl@itlboulder.com • WEBSITE: www.itlboulder.com

REPORT NUMBER: ITL64521

DATE: 05/04/10

PREPARED FOR: ENCAPSULITE INTERNATIONAL INC.

CATALOG NUMBER: WGP715

LUMINAIRE: FORMED WHITE PAINTED METAL BALLAST TRAY, FORMED METAL REFLECTOR WITH PREMIUM SPECULAR FINISH, CLEAR EXTRUDED PLASTIC CYLINDRICAL LENS WITH GRAY COATED UPPER EXTERIOR SURFACE ENCOMPASSING BALLAST TRAY AND LAMP, MOLDED WHITE PLASTIC END CAPS.

LAMP: ONE 40-WATT T-8 FO40/841/ECO LINEAR FLUORESCENT.

BALLAST: UNIVERSAL B132IUNVHP-B

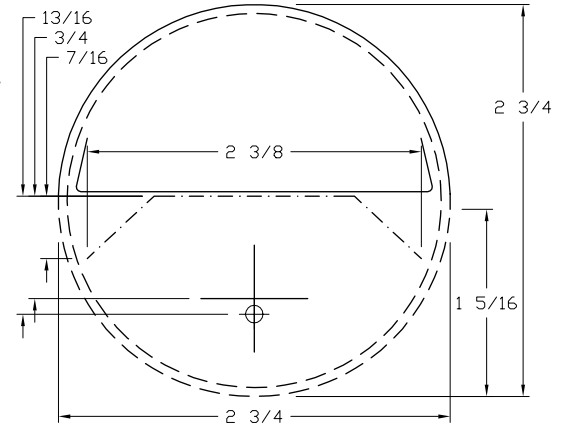
MOUNTING: SURFACE/SUSPENDED

THE 0 DEGREE PLANE IS PARALLEL WITH THE LAMP.

TOTAL INPUT WATTS = 34.2 AT 120.0 VOLTS

LUMEN TO CANDELA RATIO USED = 9.18

REPORT IS BASED ON 3650 LUMENS PER LAMP.



CANDELA DISTRIBUTION

FLUX

	0.0	22.5	45.0	67.5	90.0	
0	756	756	756	756	756	
5	752	757	774	769	775	74
15	727	750	796	815	826	222
25	673	713	782	811	825	352
35	590	648	718	731	729	431
45	482	561	606	622	638	454
55	348	451	493	553	569	437
65	213	298	385	443	461	365
75	85	179	288	386	419	290
85	8	91	211	299	331	210
90	0	56	164	250	280	
95	0	28	123	193	230	127
105	0	4	50	103	133	60
115	0	0	7	28	47	16
125	0	0	0	4	6	2
135	0	0	0	0	1	0
145	0	0	0	0	0	0
155	0	0	0	0	0	0
165	0	0	0	0	0	0
175	0	0	0	0	0	0
180	0	0	0	0	0	0

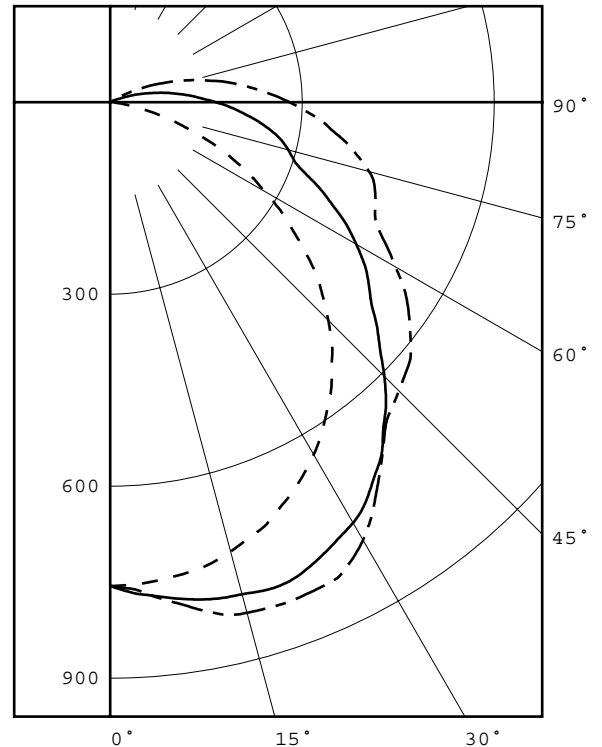
ZONAL LUMEN SUMMARY

ZONE	LUMENS	%LAMP	%FIXT
0- 30	647	17.7	21.3
0- 40	1078	29.5	35.5
0- 60	1970	54.0	64.8
0- 90	2835	77.7	93.3
90-120	202	5.5	6.7
90-130	204	5.6	6.7
90-150	204	5.6	6.7
90-180	204	5.6	6.7
0-180	3039	83.3	100.0

TOTAL LUMINAIRE EFFICIENCY = 83.3 %

CIE TYPE - DIRECT

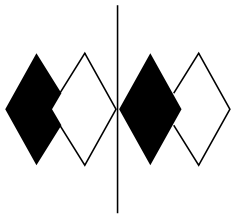
PLANE : 0-DEG 90-DEG
SPACING CRITERIA : 1.2 1.5
SHIELDING ANGLES : 1 0



LEGEND:
0-deg: - - - - -
45-deg: = = = = =
90-deg: - . - . - .

Checked N.WHITE

Approved R.BEATTIE



itl boulder
THE LIGHT CENTER OF THE INDUSTRY SINCE 1955

INDEPENDENT TESTING LABORATORIES, INC.
3386 LONGHORN ROAD, BOULDER, CO 80302 USA

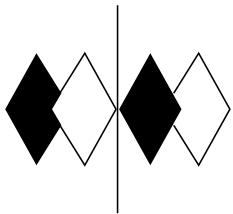
PHONE: (303)442-1255 • FAX: (303)449-5274 • E-MAIL: itl@itlboulder.com • WEBSITE: www.itlboulder.com

REPORT NUMBER: ITL64521

DATE: 05/04/10

PREPARED FOR: ENCAPSULITE INTERNATIONAL INC.

LUMINANCE DATA IN CANDELA/SQ M			
ANGLE IN DEG	AVERAGE 0-DEG	AVERAGE 45-DEG	AVERAGE 90-DEG
45	6315.	7242.	7059.
55	5625.	6703.	6864.
65	4670.	6146.	6181.
75	3043.	5573.	6386.
85	849.	5110.	5884.



itl boulder
THE LIGHT CENTER OF THE INDUSTRY SINCE 1955

INDEPENDENT TESTING LABORATORIES, INC.
 3386 LONGHORN ROAD, BOULDER, CO 80302 USA

PHONE: (303)442-1255 • FAX: (303)449-5274 • E-MAIL: itl@itlboulder.com • WEBSITE: www.itlboulder.com

REPORT NUMBER: ITL64521

DATE: 05/04/10

PREPARED FOR: ENCAPSULITE INTERNATIONAL INC.

CANDELA DISTRIBUTION

	0.0	22.5	45.0	67.5	90.0
0.0	756	756	756	756	756
5.0	752	757	774	769	775
10.0	744	759	789	794	805
15.0	727	750	796	815	826
20.0	705	738	800	818	829
25.0	673	713	782	811	825
30.0	636	686	759	785	790
35.0	590	648	718	731	729
40.0	538	603	664	667	668
45.0	482	561	606	622	638
50.0	421	516	544	595	613
55.0	348	451	493	553	569
60.0	278	373	444	499	515
65.0	213	298	385	443	461
70.0	143	236	324	406	441
75.0	85	179	288	386	419
80.0	36	122	255	345	377
85.0	8	91	211	299	331
90.0	0	56	164	250	280
95.0	0	28	123	193	230
100.0	0	11	85	146	183
105.0	0	4	50	103	133
110.0	0	0	20	62	87
115.0	0	0	7	28	47
120.0	0	0	3	9	15
125.0	0	0	0	4	6
130.0	0	0	0	1	3
135.0	0	0	0	0	1
140.0	0	0	0	0	0
145.0	0	0	0	0	0
150.0	0	0	0	0	0
155.0	0	0	0	0	0
160.0	0	0	0	0	0
165.0	0	0	0	0	0
170.0	0	0	0	0	0
175.0	0	0	0	0	0
180.0	0	0	0	0	0



INDEPENDENT TESTING LABORATORIES, INC.
3386 LONGHORN ROAD, BOULDER, CO 80302 USA

PHONE: (303)442-1255 • FAX: (303)449-5274 • E-MAIL: itl@itlboulder.com • WEBSITE: www.itlboulder.com

REPORT NUMBER: ITL64521

DATE: 05/04/10

PREPARED FOR: ENCAPSULITE INTERNATIONAL INC.

5-DEGREE
ZONAL LUMEN SUMMARY

0- 5	18.
5- 10	55.
10- 15	93.
15- 20	129.
20- 25	162.
25- 30	190.
30- 35	210.
35- 40	221.
40- 45	226.
45- 50	228.
50- 55	224.
55- 60	213.
60- 65	193.
65- 70	172.
70- 75	154.
75- 80	136.
80- 85	116.
85- 90	95.
90- 95	73.
95-100	54.
100-105	37.
105-110	23.
110-115	11.
115-120	5.
120-125	1.
125-130	0.
130-135	0.
135-140	0.
140-145	0.
145-150	0.
150-155	0.
155-160	0.
160-165	0.
165-170	0.
170-175	0.
175-180	0.

10-DEGREE
ZONAL LUMEN SUMMARY

0- 10	74.
0- 20	296.
0- 30	647.
0- 40	1078.
0- 50	1533.
0- 60	1970.
0- 70	2334.
0- 80	2625.
0- 90	2835.
0-100	2961.
0-110	3021.
0-120	3037.
0-130	3039.
0-140	3039.
0-150	3039.
0-160	3039.
0-170	3039.
0-180	3039.



INDEPENDENT TESTING LABORATORIES, INC.
 3386 LONGHORN ROAD, BOULDER, CO 80302 USA

PHONE: (303)442-1255 • FAX: (303)449-5274 • E-MAIL: itl@itlboulder.com • WEBSITE: www.itlboulder.com

REPORT NUMBER: ITL64521

DATE: 05/04/10

PREPARED FOR: ENCAPSULITE INTERNATIONAL INC.

COEFFICIENTS OF UTILIZATION - ZONAL CAVITY METHOD

EFFECTIVE FLOOR CAVITY REFLECTANCE 0.20

RC RW	80				70				50			30			10			0
	70	50	30	10	70	50	30	10	50	30	10	50	30	10	50	30	10	0
0	98	98	98	98	95	95	95	95	89	89	89	84	84	84	80	80	80	78
1	87	82	78	74	84	80	76	72	75	72	69	71	68	66	67	65	63	60
2	78	71	64	59	76	69	63	58	65	60	55	61	57	53	58	54	51	49
3	71	61	54	48	68	60	53	47	56	50	46	53	48	44	50	46	43	40
4	65	54	46	40	62	53	45	40	50	43	38	47	42	37	45	40	36	34
5	59	48	40	34	57	47	39	34	44	38	33	42	36	32	40	35	31	29
6	55	43	35	30	53	42	35	29	40	33	29	38	32	28	36	31	27	25
7	51	39	31	26	49	38	31	26	36	30	25	34	29	25	33	28	24	22
8	47	35	28	23	46	35	28	23	33	27	22	32	26	22	30	25	21	20
9	44	32	25	21	43	32	25	20	30	24	20	29	24	20	28	23	19	18
10	41	30	23	19	40	29	23	18	28	22	18	27	22	18	26	21	17	16

ALL CANDELA, LUMENS, LUMINANCE, COEFFICIENT OF UTILIZATION AND VCP VALUES IN THIS REPORT ARE BASED ON RELATIVE PHOTOMETRY WHICH ASSUMES A BALLAST FACTOR OF 1.000. ANY CALCULATIONS PREPARED FROM THESE DATA SHOULD INCLUDE AN APPROPRIATE BALLAST FACTOR.