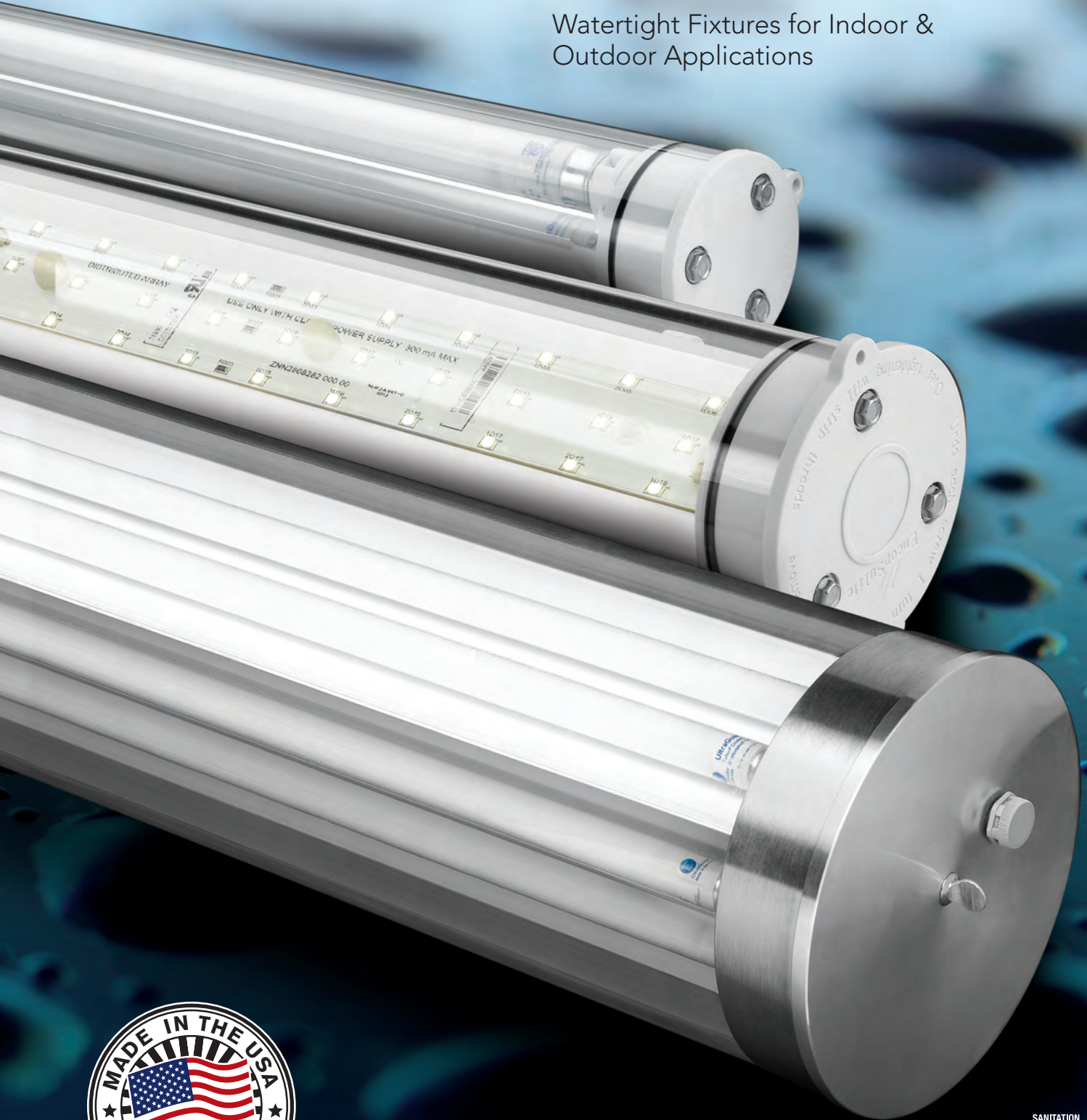




EncapSulite®

WATERGUARD® LED WATERGUARD® PLUS WATERGUARD® MAX

Watertight Fixtures for Indoor & Outdoor Applications



WASHDOWN FIXTURES

Applications include Product Inspection, Food Plants, Amusement Parks, Car Washes, Parking Garages, Food Processing, Seacoast Areas, Tunnels, Greenhouses, Signage, Water Treatment Plants, Bridges, Decorative Lighting and Corrosive Areas. WaterGuard Plus & WaterGuard LED casing manufactured from XYLEX 8300 HP. All fixtures rated to withstand high pressure washdown up to 1200 PSI. Photometrics available to download at www.encapsulite.com. All products IP67 Rated.



WaterGuard® LED Fixtures NEW

UL Listed 1598 (Wet Location) - UL 8750 (LED) - UL-EPH Certified. Fixture includes 60,000hr 5000K Sylvania LED's, other Kelvin temperatures available upon request, Universal Voltage LED Driver 120-277 50/60HZ, two heavy duty non-metallic fixed mounting brackets, Factory pre-wired with 8 foot black cord and plug. Optional suspension mounting methods available at additional cost. WaterGuard fixtures should only be cleaned with a mild soap and water solution. Do not use industrial cleaners or solvents. **Not recommended for permanent immersion.** Limited Three-Year Warranty. FEP coating available on clear housing for extreme caustic or chemical environments at additional cost.

PART NUMBER	LENGTH	DIAMETER	WATTAGE	CRI	KELVIN	VOLTAGE	MAX AMBIENT TEMP	MIN TEMP	LUMENS
WGP72LED	24 Inches	2.75 Inches	13	> 80	5000K	120 - 277V 50/60Hz	110°F	-40°F	1460lm
WGP74LED	48 Inches	2.75 Inches	25	> 80	5000K	120 - 277V 50/60Hz	110°F	-40°F	2700lm
WGP78LED	96 Inches	2.75 Inches	50	> 80	5000K	120 - 277V 50/60Hz	110°F	-40°F	5400lm



WaterGuard® PLUS Fluorescent Fixtures SINGLE T5 SERIES

UL Listed 1598. UL-EPH Certified. Standard fixture includes two heavy duty non-metallic fixed mounting brackets, Electronic Program Start Ballast. Universal Voltage 120-277 50/60HZ, Factory pre-wired with 8 foot black cord and plug. High efficiency reflector system to increase foot candles directly under fixture, 4100 Kelvin T5 safety coated lamps included. Other Kelvin temperature lamps available upon request. Optional suspension mounting methods available at additional cost. WaterGuard fixtures should only be cleaned with a mild soap and water solution. Do not use industrial cleaners or solvents. **Not recommended for permanent immersion.** Limited One-Year Warranty.

PART NUMBER	LENGTH	DIAMETER	LAMPS	WATTAGE	CRI	KELVIN	VOLTAGE	MAX AMBIENT TEMP	MIN TEMP	LUMENS
WGP511	12 inches	2 inches	1	8	60	4100K	120v 50/60Hz	150°F	-20°F	345lm
WGP512	24 inches	2 inches	1	14	85	4100K	120 - 277V 50/60Hz	150°F	-20°F	875lm
WGP513	36 inches	2 inches	1	21	85	4100K	120 - 277V 50/60Hz	150°F	-20°F	1435lm
WGP514	48 inches	2 inches	1	28	85	4100K	120 - 277V 50/60Hz	150°F	-20°F	2045lm
WGP515	60 inches	2 inches	1	35	85	4100K	120 - 277V 50/60Hz	150°F	-20°F	2680lm



WaterGuard® PLUS Fluorescent Fixtures

SINGLE T8 & DOUBLE T5 SERIES

UL Listed 1598. UL-EPH Certified. Standard fixture includes two heavy duty non-metallic fixed mounting brackets, Electronic Program Start Ballast. Universal Voltage 120-277V 50/60HZ, Factory pre-wired with 8 foot black cord and plug. High efficiency reflector system to increase foot candles directly under fixture, 4100 Kelvin T5 or T8 safety coated lamps included. Other Kelvin temperature lamps available upon request. Optional suspension mounting methods available at additional cost. WaterGuard fixtures should only be cleaned with a mild soap and water solution. Do not use industrial cleaners or solvents. **Not recommended for permanent immersion.** FEP coating available on clear housing for extreme caustic or chemical environments at additional cost. Limited One-Year Warranty.

PART NUMBER	LENGTH	DIAMETER	LAMP TYPE	LAMPS	WATTAGE	CRI	KELVIN	VOLTAGE	MAX AMBIENT TEMP	MIN TEMP	LUMENS
WGP712	24 inches	2.75 inches	T8	1	17	82	4100K	120 - 277V 50/60Hz	150°F	-20°F	1100lm
WGP722	24 inches	2.75 inches	T5	2	28	85	4100K	120 - 277V 50/60Hz	150°F	-20°F	1400lm
WGP713	36 inches	2.75 inches	T8	1	25	82	4100K	120 - 277V 50/60Hz	150°F	-20°F	1700lm
WGP723	36 inches	2.75 inches	T5	2	42	85	4100K	120 - 277V 50/60Hz	150°F	-20°F	2300lm
WGP714	48 inches	2.75 inches	T8	1	32	85	4100K	120 - 277V 50/60Hz	150°F	-20°F	2500lm
WGP724	48 inches	2.75 inches	T5	2	56	85	4100K	120 - 277V 50/60Hz	150°F	-20°F	3300lm
WGP715	60 inches	2.75 inches	T8	1	40	85	4100K	120 - 277V 50/60Hz	150°F	-20°F	3000lm
WGP725	60 inches	2.75 inches	T5	2	70	85	4100K	120 - 277V 50/60Hz	150°F	-20°F	4100lm
WGP748	96 inches	2.75 inches	T5	4	112	85	4100K	120 - 277V 50/60Hz	150°F	-20°F	6700lm



WaterGuard® MAX Fluorescent Fixtures

QUAD T5HO

UL Listed 1598. UL-EPH Certified. Standard fixture includes two stainless steel hanging straps, Electronic Program Start Ballast. Universal Voltage 120-277V 50/60HZ, Factory pre-wired with 8 foot black cord and plug. WaterGuard fixtures should only be cleaned with a mild soap and water solution. Do not use industrial cleaners or solvents. Standard fixture includes Anodized Aluminum end caps. **Not recommended for permanent immersion.** Limited One-Year Warranty.

PART NUMBER	LENGTH	DIAMETER	LAMP TYPE	LAMPS	WATTAGE	CRI	KELVIN	VOLTAGE	MAX AMBIENT TEMP	MIN TEMP	LUMENS
WGM644	48 inches	6 inches	T5HO	4	196	85	4100K	120 - 277V 50/60Hz	100°F	-20°F	11300lm

WATERGUARD REPLACEMENT PARTS

MODEL WaterGuard Fixture	TUBE Xylex 8300HP	BALLAST/ DRIVER	BRACKETS Flush Mount (Hardware Included)	SS STRAPS Stainless Steel Hanging Straps	END CAP SET (Includes 2 End Caps, Cable Gland, O-Rings, Hardware)	LAMPHOLDER Twist Lock (Sold Individually)
WGP511	PWG011	PWG018	PWGB-50	PWGB-SS-50	PWG034	PWG036
WGP512	PWG012	PWG019	PWGB-50	PWGB-SS-50	PWG034	PWG036
WGP513	PWG013	PWG019	PWGB-50	PWGB-SS-50	PWG034	PWG036
WGP514	PWG014	PWG019	PWGB-50	PWGB-SS-50	PWG034	PWG036
WGP515	PWG015	PWG019	PWGB-50	PWGB-SS-50	PWG034	PWG036
WGP712	PWG001 ²	PWG016	PWGB-70	PWGB-SS-70	PWG033	PWG035
WGP713	PWG002 ²	PWG016	PWGB-70	PWGB-SS-70	PWG033	PWG035
WGP714	PWG003 ²	PWG016	PWGB-70	PWGB-SS-70	PWG033	PWG035
WGP715	PWG004 ²	PWG016	PWGB-70	PWGB-SS-70	PWG033	PWG035
WGP722	PWG001 ²	PWG017	PWGB-70	PWGB-SS-70	PWG033	PWG037
WGP723	PWG002 ²	PWG017	PWGB-70	PWGB-SS-70	PWG033	PWG037
WGP724	PWG003 ²	PWG017	PWGB-70	PWGB-SS-70	PWG033	PWG037
WGP725	PWG004 ²	PWG017	PWGB-70	PWGB-SS-70	PWG033	PWG037
WGP748	PWG009 ²	PWG017 ¹	PWGB-748	PWGB-SS-748	PWG033	PWG037
WGM644	PWG010	PWG020	N/A	PWSS-MAX	PWG040	PWG037
WGP72LED	PWG001 ²	PWG023	PWGB-70	PWGB-SS-70	PWG033	N/A
WGP74LED	PWG050 ²	PWG023	PWGB-70	PWGB-SS-70	PWG033	N/A
WGP78LED	PWG009 ²	PWG023 ¹	PWGB-748	PWGB-SS-748	PWG033	N/A

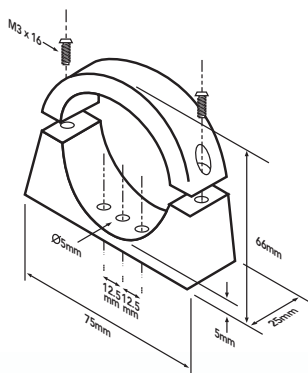
¹ WaterGuard WGP748 requires (2) Ballast and the WGP78LED requires (2) drivers

² FEP coating available on WaterGuard tube for extremely caustic or harsh chemical environments

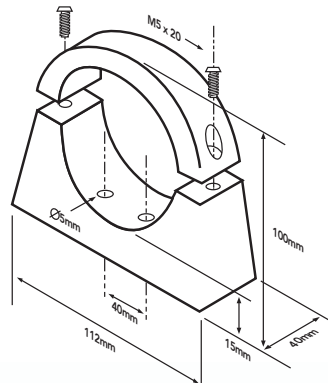
WATERGUARD GRIPPLE MOUNTING BRACKETS

Completely Stainless Steel. Set includes cables with snap hook ends.
Each cable rated for 100lbs.

GRIP-5	5 foot Gripple Hanger Kit
GRIP-10	10 foot Gripple Hanger Kit
GRIP-15	15 foot Gripple Hanger Kit
GRIP748-5	5 foot Gripple Hanger Kit
GRIP748-10	10 foot Gripple Hanger Kit
GRIP748-15	15 foot Gripple Hanger Kit



PWGB-50 MOUNTING BRACKET



PWGB-70 MOUNTING BRACKET



GRIPPLE MOUNTING BRACKET



EncapSulite International Inc., US Factory & Office

1220 Bamore Road, Rosenberg, TX 77471

P (281) 239-0225 | F (281) 239-0980

TF (877) 227-8756

E info@encapsulite.com | W www.encapsulite.com

EncapSulite International, Limited, UK Factory & Office

Unit 17, Chartwell Business Park

Chartmoor Road, Leighton Buzzard, Bedfordshire, LU74WG

P 01144 1525 376974 | F 01144 1525 850306

E reply@encapsulite.co.uk | W www.encapsulite.co.uk